



NAGOYA
PLASTIC
INDUSTRIAL
FAIR 2024

A sustainable future made of plastic.

Guide to Exhibit

The 34th NAGOYA PLASTIC INDUSTRIAL FAIR 2024

NAGOYA PLASTIC INDUSTRIAL FAIR 2024 • PORTMESSE NAGOYA
Plastic Machines / Plastic 3D Molding / Processing / Raw Materials / FRP /
Eco-friendly Plastics / Recycling / Mold Related Equipment / Others

Nov.20 (Wed.) - **22** (Fri.)

Portmesse Nagoya (Nagoya International Exhibition Hall)

<https://biz.nikkan.co.jp/eve/nagoya-platen/>

Introduction

The Central Japan Plastics Federation, the Central Japan Plastic Products Industry Association, and the Nikkan Kogyo Shimbun will host the Nagoya Plastic Industrial Fair 2024 for 3 days from November 20 to 22 at Portmesse Nagoya (Nagoya International Exhibition Hall).

The Nagoya Plastic Industrial Fair has been held every three years since 1963. This year is the 34th edition of the event. It is one of the biggest trade shows in the Chubu area focused on the plastic industry, covering everything from raw materials, molding machines, secondary processing machines, molding-related equipment, compounding equipment, 3D printers, molds, measuring technology, finished products and recycling technology.

Under the theme “A sustainable future made of plastic.” this year’s event will showcase both the materials and products compatible with a sustainable, circular economy, and the high-performance networked machines and production technologies required to manufacture them.

With expansive displays of cutting-edge technologies, products and services, we are confident that this event will present plastic industry participants with an ideal opportunity to forge new connections and expand their sales channels.

We look forward to seeing you in Nagoya.

November 2023
Central Japan Plastics Federation
Central Japan Plastic Products Industry Association
Nikkan Kogyo Shimbun

Event Outline

Show Name	Nagoya Plastic Industrial Fair 2024
Theme	A Sustainable Future Made of Plastic.
Date	November 20 (Wed.) -22 (Fri.), 2024
Opening Hours	10:00-17:00 (10:00-16:00 on the last day)
Venue	Portmesse Nagoya (Nagoya International Exhibition Hall), Third Exhibition Hall
Organizer	Central Japan Plastics Federation, Central Japan Plastic Products Industry Association, Nikkan Kogyo Shimbun
Supporting Organizations	Chubu Bureau of Economy, Trade and Industry, Aichi Prefecture, Nagoya City, Nagoya Chamber of Commerce & Industry The Society of Japanese Aerospace Companies, Japan Robot Association, Japan Auto Parts Industries Association, The Japan Society of Industrial Machinery Manufacturers, The Japan Reinforced Plastics Society, All Japan Plastic Products Industrial Federation, Association of Japan Plastics Machinery, Japan Society of Plastics Technology, Japan Precision Measuring Instruments Manufacturers Association, Plastic Waste Management Institute, The Japan Carbon Fiber Manufacturers Association, Central Japan Plastic Mold Association, Aichi Plastic Mold Industrial Association, Gifu Plastic Industrial Association, Ishikawa Plastics Evolution Cooperative, Japan Die & Mold Industry Association Central Division, Chubu Plastic Plate Molding Industry Association, Chubu Plastic Recycling Association (in random order)
Admission Fee	JPY 1,000 (Free for pre-registered guests, guests with invitation tickets, high school aged students and below)
Co-located Event	Special Seminar, Symposium, Exhibitor Presentation, Special exhibition: 3D Printer & AM etc.



Past Exhibition Result 2021

Onsite Exhibition

Exhibition Scale

154 companies / organizations
372 booths

Onsite Exhibitors

10,036

Online Exhibition

Exhibition Scale

19 companies

Online Visitors

6,230

Important Information

Booth Details

Size

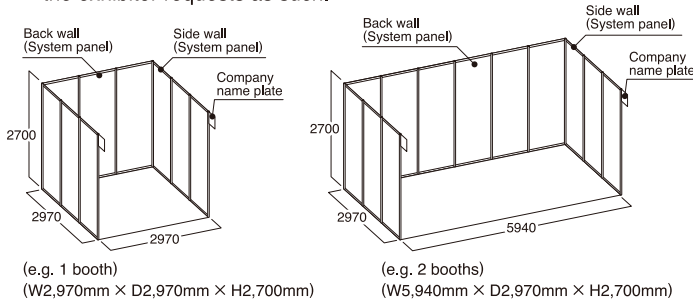
Basic Booth Size

1 Booth: W2,970mm × D2,970mm × H2,700mm

- There are no power supplies, lights, carpets, etc. provided in any of the booths.
- Back wall cannot be removed with or without adjacent booths.

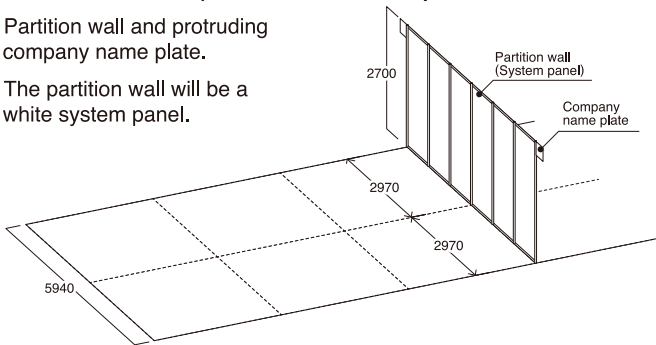
Inline Booth

- 1) Comes with a back wall, side walls and protruding company name plates.
- 2) Back and side walls will be white system panels.
- 3) For corner booths, there will be no partition wall facing the aisle unless the exhibitor requests as such.



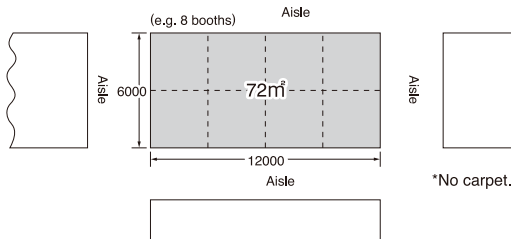
Peninsula Booth (4 booths or more)

- 1) Partition wall and protruding company name plate.
- 2) The partition wall will be a white system panel.



Island Booth (6 booths or more)

- 1) Space only, no partitions.
- 2) The partition wall will be a white system panel.



Booth Rental Fee

1 Booth: W2,970mm × D2,970mm × H2,700mm
Rate per 9 sqm. (tax included)

- Indoor Booth JPY 297,000
- Island Booth (6 booths or more) JPY 267,300
- Outdoor Booth JPY 148,500

Application and Inquiry

To apply, please fill out the Application Form and send it by email to Nagoya Plastic Industrial Fair 2024 Office as below.

Contact

Nagoya Plastic Industrial Fair 2024 Office
c/o Nikkan Kogyo Shimbun Nagoya Branch
2-21-28, Izumi, Higashi-ku Nagoya, Aichi 461-0001
TEL : +81-931-6158
E-mail : nagoya-platen@nikkan.tech
<https://biz.nikkan.co.jp/eve/nagoya-platen/>

Exhibitor Application Deadline

June 28 (Fri.), 2024

*Please note that the list will be closed before the deadline once all available spaces are fully booked.

Cancellation or Modification of the Contract

As a general rule, organizers will not accept any cancellations or modifications of the exhibit booth contract once the application is received by the organizer (or overseas agent). However, in the event that an application must be canceled, it will be accepted with the following additional fee;

Date of Cancellation	Cancellation Fee
Until August 31 (Sat.), 2024	50% of booth rental fee
After September 1 (Sun.), 2024	100% of booth rental fee

Booth Allocation

Exhibitor booth locations will be determined by the organizer with consideration to the contents of the exhibit, past participation records, and the entire hall layout. Exhibitors will be informed of their booth location around the end of June 2021 at the earliest. Exhibitors are not allowed to sell or lend part or all of their allocated space without the approval of the organizer.

Rental Booth Package

extra charge

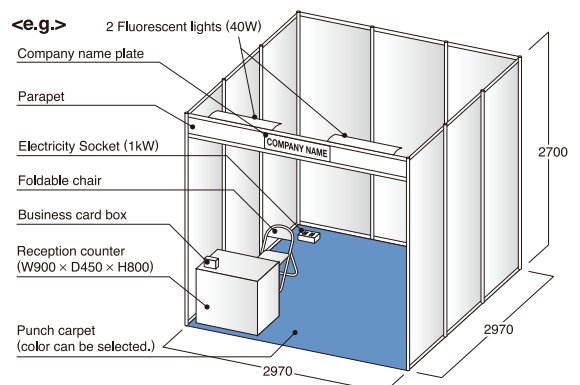
Basic installation services are available as a package, saving your time and effort of applying for each service separately. Contact the Office for details about other packages and how to apply.

1 Parapet	1 Electricity Socket (1kW)
Company name plate	Punch carpet
1 Reception counter	2 Fluorescent lights (40W)
1 Foldable chair	*Electrical installation fee and electricity fee (1kW)
1 Business card box	Including installation and dismantling fee

JPY 91,300
per booth
(tax included)

(e.g.) If you apply for one booth with the above package, the total exhibit cost will be...
Booth rental fee: JPY 297,000 + Rental Booth Package JPY 91,300 = JPY 388,300 (tax included)

*Package displays of 2 or more booths are also available.
*If your electricity usage exceeds 1kW, you will need to apply for electrical work separately.



Optimal Use of "the Nikkan Kogyo Shimbun" Media for Promotion

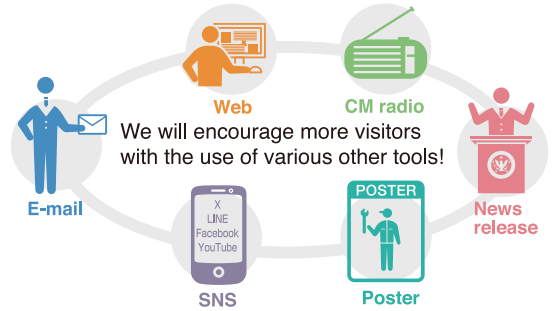
Optimization of not only "the Nikkan Kogyo Shimbun" but also various other mediums to attract high quality visitors.



Exhibitor interview articles in addition to special features on the show (only selected interviews will be printed).



Invitations sent to domestic and foreign related companies and organizations included on the DM list of the Daily Industrial News (approx. 200,000 invitations).



Exhibitor introductions on the official website

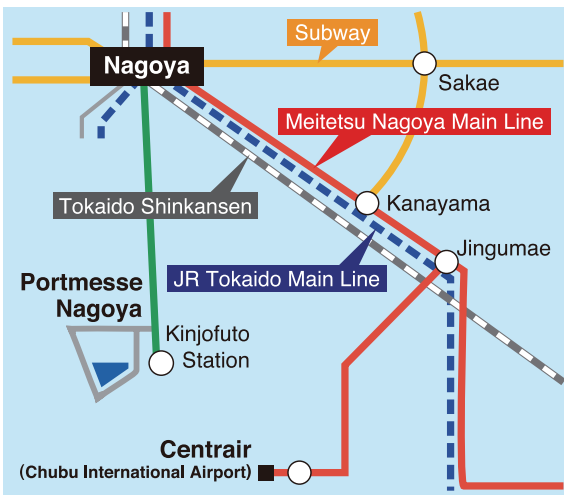
Introductions to all exhibitors and links to company websites will be displayed on the official event website, providing detailed information on its participants.



Articles and advertisements published periodically on industrial magazines.

- Advertisements in public transportation
- Posters hanging on the Nagoya Municipal Subway
 - Advertisements in JR Tokai (Central Japan Railway) trains
 - Posters at JR stations

Access



Exhibition Schedule

June 28 (Fri.)	Exhibitor application deadline
Later August	Exhibitor orientation session (in Japanese)
Early October	Final deadline for various documents
November 17 (Sun.) - 19 (Tue.)	Delivery and installation of exhibits
November 20 (Wed.) - 22 (Fri.)	Event
November 22 (Fri.) - 23 (Sat.)	Dismantling and removal of exhibits

Exhibitor application deadline: June 28 (Fri.), 2024

Please note that the list will be closed before the deadline once all available spaces are fully booked.



NAGOYA
PLASTIC
INDUSTRIAL
FAIR 2024

Nagoya Plastic Industrial Fair 2024 Office
c/o Nikkan Kogyo Shimbun Nagoya Branch

E-mail : nagoya-platen@nikkan.tech

https://biz.nikkan.co.jp/eve/nagoya-platen/